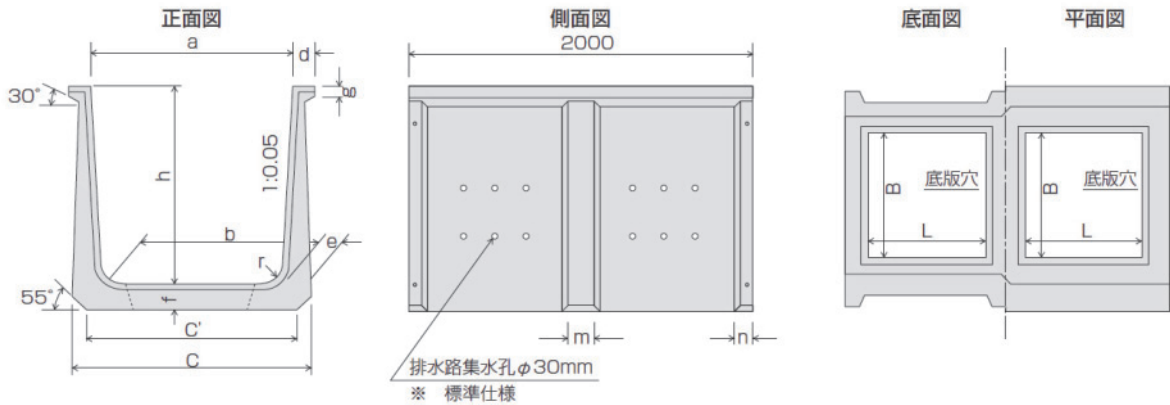


規格寸法 (Bタイプ)



● Bタイプ…排水路専用で底部に開口部を設けています。

| 呼称 a × h | 参考質量 (kg) | 寸法 (mm) | | | | | | | | | | | | | | | | | | |
|-------------|--------------|---------|-----|------|------|------|-----|-----|-----|----|-----|----|----|----|----|-----|----|-----|----|----|
| | | B | L | b | c | c' | d | e | f | g | m | n | r | | | | | | | |
| 300 × 500B | 338 | 110 | 787 | 250 | 423 | 320 | 75 | 84 | 93 | 40 | 180 | 87 | 70 | | | | | | | |
| 400 × 500B | 348 | 210 | 787 | 350 | 523 | 420 | | | | | | | | | | | | | | |
| 500 × 500B | 358 | 310 | 787 | 450 | 623 | 520 | | | | | | | | | | | | | | |
| 600 × 500B | 367 | 410 | 787 | 550 | 723 | 620 | | | | | | | | | | | | | | |
| 700 × 500B | 377 | 510 | 787 | 650 | 823 | 720 | | | | | | | | | | | | | | |
| 800 × 500B | 387 | 610 | 787 | 750 | 923 | 820 | | | | | | | | | | | | | | |
| 900 × 500B | 397 | 710 | 787 | 850 | 1023 | 920 | | | | | | | | | | | | | | |
| 1000 × 500B | 407 | 810 | 787 | 950 | 1123 | 1020 | | | | | | | | | | | | | | |
| 400 × 600B | 426 | 200 | 787 | 340 | 535 | 421 | | | | | | | | 85 | 95 | 101 | 40 | 180 | 87 | 70 |
| 500 × 600B | 437 | 300 | 787 | 440 | 635 | 521 | | | | | | | | | | | | | | |
| 600 × 600B | 448 | 400 | 787 | 540 | 735 | 621 | | | | | | | | | | | | | | |
| 700 × 600B | 458 | 500 | 787 | 640 | 835 | 721 | | | | | | | | | | | | | | |
| 800 × 600B | 469 | 600 | 787 | 740 | 935 | 821 | | | | | | | | | | | | | | |
| 900 × 600B | 480 | 700 | 787 | 840 | 1035 | 921 | | | | | | | | | | | | | | |
| 1000 × 600B | 491 | 800 | 787 | 940 | 1135 | 1021 | | | | | | | | | | | | | | |
| 1100 × 600B | 502 | 900 | 787 | 1040 | 1235 | 1121 | | | | | | | | | | | | | | |
| 1200 × 600B | 513 | 1000 | 787 | 1140 | 1335 | 1221 | | | | | | | | | | | | | | |
| 400 × 700B | 530 | 270 | 787 | 330 | 540 | 418 | 90 | 103 | 120 | 40 | 180 | 87 | 80 | | | | | | | |
| 500 × 700B | 543 | 370 | 787 | 430 | 640 | 518 | | | | | | | | | | | | | | |
| 600 × 700B | 556 | 470 | 787 | 530 | 740 | 618 | | | | | | | | | | | | | | |
| 700 × 700B | 569 | 570 | 787 | 630 | 840 | 718 | | | | | | | | | | | | | | |
| 800 × 700B | 582 | 670 | 787 | 730 | 940 | 818 | | | | | | | | | | | | | | |
| 900 × 700B | 595 | 770 | 787 | 830 | 1040 | 918 | | | | | | | | | | | | | | |
| 1000 × 700B | 608 | 870 | 787 | 930 | 1140 | 1018 | | | | | | | | | | | | | | |
| 1100 × 700B | 621 | 970 | 787 | 1030 | 1240 | 1118 | | | | | | | | | | | | | | |
| 1200 × 700B | 633 | 1070 | 787 | 1130 | 1340 | 1218 | | | | | | | | | | | | | | |
| 1300 × 700B | 646 | 1170 | 787 | 1230 | 1440 | 1318 | | | | | | | | | | | | | | |
| 1400 × 700B | 659 | 1270 | 787 | 1330 | 1540 | 1418 | | | | | | | | | | | | | | |
| 1500 × 700B | 672 | 1370 | 787 | 1430 | 1640 | 1518 | | | | | | | | | | | | | | |
| 500 × 800B | 638 | 260 | 787 | 420 | 653 | 526 | 100 | 113 | 120 | 50 | 180 | 87 | 80 | | | | | | | |
| 600 × 800B | 650 | 360 | 787 | 520 | 753 | 626 | | | | | | | | | | | | | | |
| 700 × 800B | 663 | 460 | 787 | 620 | 853 | 726 | | | | | | | | | | | | | | |
| 800 × 800B | 676 | 560 | 787 | 720 | 953 | 826 | | | | | | | | | | | | | | |
| 900 × 800B | 689 | 660 | 787 | 820 | 1053 | 926 | | | | | | | | | | | | | | |
| 1000 × 800B | 702 | 760 | 787 | 920 | 1153 | 1026 | | | | | | | | | | | | | | |
| 1100 × 800B | 715 | 860 | 787 | 1020 | 1253 | 1126 | | | | | | | | | | | | | | |
| 1200 × 800B | 728 | 960 | 787 | 1120 | 1353 | 1226 | | | | | | | | | | | | | | |
| 1300 × 800B | 741 | 1060 | 787 | 1220 | 1453 | 1326 | | | | | | | | | | | | | | |
| 1400 × 800B | 753 | 1160 | 787 | 1320 | 1553 | 1426 | | | | | | | | | | | | | | |
| 1500 × 800B | 766 | 1260 | 787 | 1420 | 1653 | 1526 | | | | | | | | | | | | | | |
| 1600 × 800B | 779 | 1360 | 787 | 1520 | 1753 | 1626 | | | | | | | | | | | | | | |

道路・交通

暮らし・公益施設・
上下水道

水と緑

河川・
砂防

農業土木

インフラ保全・
工事・工法

舗装

基礎

法面・土止め・
擁壁

カルバート

トンネル・
地下道

用・排水路

交通安全
対策

スラブ・
床版橋

電線・情報・
共同溝

護床・護岸・
法覆

ため池・
貯留施設

樋門・樋管

上下水道

景観・
多自然

リサイクル・
更生

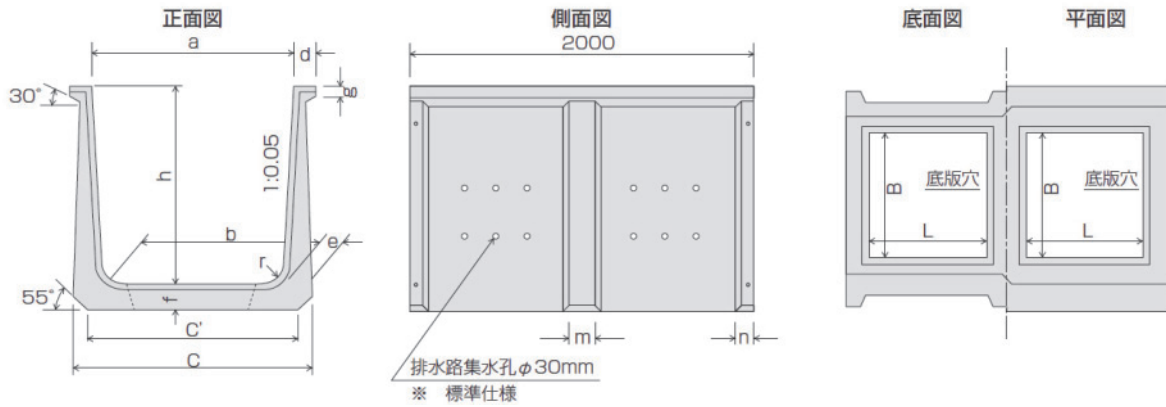
維持管理

耐震・防災害・
快適(円滑)

経済性・省力化・
公害低減

NETIS・ARIC・
認定・評定評価

形状及び寸法 (Bタイプ)



●Bタイプ…排水路専用で底部に開口部を設けています。

| 呼称 a × h | 参考質量 (kg) | 寸法 (mm) | | | | | | | | | | | |
|--------------|--------------|---------|-----|------|------|------|-----|-----|-----|----|-----|----|-----|
| | | B | L | b | c | c' | d | e | f | g | m | n | r |
| 500 × 900B | 757 | 250 | 787 | 410 | 661 | 516 | 120 | 122 | 140 | 55 | 180 | 87 | 80 |
| 600 × 900B | 772 | 350 | 787 | 510 | 761 | 616 | | | | | | | |
| 700 × 900B | 787 | 450 | 787 | 610 | 861 | 716 | | | | | | | |
| 800 × 900B | 802 | 550 | 787 | 710 | 961 | 816 | | | | | | | |
| 900 × 900B | 817 | 650 | 787 | 810 | 1061 | 916 | | | | | | | |
| 1000 × 900B | 832 | 750 | 787 | 910 | 1161 | 1016 | | | | | | | |
| 1100 × 900B | 847 | 850 | 787 | 1010 | 1261 | 1116 | | | | | | | |
| 1200 × 900B | 862 | 950 | 787 | 1110 | 1361 | 1216 | | | | | | | |
| 1300 × 900B | 877 | 1050 | 787 | 1210 | 1461 | 1316 | | | | | | | |
| 1400 × 900B | 892 | 1150 | 787 | 1310 | 1561 | 1416 | | | | | | | |
| 1500 × 900B | 907 | 1250 | 787 | 1410 | 1661 | 1516 | 120 | 131 | 150 | 60 | 180 | 87 | 100 |
| 1600 × 900B | 922 | 1350 | 787 | 1510 | 1761 | 1616 | | | | | | | |
| 1700 × 900B | 937 | 1450 | 787 | 1610 | 1861 | 1716 | | | | | | | |
| 1800 × 900B | 952 | 1550 | 787 | 1710 | 1961 | 1816 | | | | | | | |
| 500 × 1000B | 880 | 200 | 787 | 400 | 670 | 509 | | | | | | | |
| 600 × 1000B | 896 | 300 | 787 | 500 | 770 | 609 | | | | | | | |
| 700 × 1000B | 913 | 400 | 787 | 600 | 870 | 709 | | | | | | | |
| 800 × 1000B | 929 | 500 | 787 | 700 | 970 | 809 | | | | | | | |
| 900 × 1000B | 946 | 600 | 787 | 800 | 1070 | 909 | | | | | | | |
| 1000 × 1000B | 962 | 700 | 787 | 900 | 1170 | 1009 | | | | | | | |
| 1100 × 1000B | 978 | 800 | 787 | 1000 | 1270 | 1109 | | | | | | | |
| 1200 × 1000B | 995 | 900 | 787 | 1100 | 1370 | 1209 | | | | | | | |
| 1300 × 1000B | 1011 | 1000 | 787 | 1200 | 1470 | 1309 | | | | | | | |
| 1400 × 1000B | 1028 | 1100 | 787 | 1300 | 1570 | 1409 | | | | | | | |
| 1500 × 1000B | 1044 | 1200 | 787 | 1400 | 1670 | 1509 | | | | | | | |
| 1600 × 1000B | 1060 | 1300 | 787 | 1500 | 1770 | 1609 | | | | | | | |
| 1700 × 1000B | 1077 | 1400 | 787 | 1600 | 1870 | 1709 | | | | | | | |
| 1800 × 1000B | 1093 | 1500 | 787 | 1700 | 1970 | 1809 | | | | | | | |
| 1900 × 1000B | 1110 | 1600 | 787 | 1800 | 2070 | 1909 | | | | | | | |
| 2000 × 1000B | 1126 | 1700 | 787 | 1900 | 2170 | 2009 | | | | | | | |

| 呼称 a × h | 参考質量 (kg) | 寸法 (mm) | | | | | | | | | | | | | | | | | | |
|--------------|--------------|---------|-----|------|------|------|-----|-----|-----|----|-----|----|-----|-----|-----|-----|----|-----|----|-----|
| | | B | L | b | c | c' | d | e | f | g | m | n | r | | | | | | | |
| 600 × 1100B | 995 | 290 | 787 | 490 | 775 | 602 | 120 | 139 | 160 | 60 | 180 | 87 | 100 | | | | | | | |
| 700 × 1100B | 1013 | 390 | 787 | 590 | 875 | 702 | | | | | | | | | | | | | | |
| 800 × 1100B | 1031 | 490 | 787 | 690 | 975 | 802 | | | | | | | | | | | | | | |
| 900 × 1100B | 1049 | 590 | 787 | 790 | 1075 | 902 | | | | | | | | | | | | | | |
| 1000 × 1100B | 1066 | 690 | 787 | 890 | 1175 | 1002 | | | | | | | | | | | | | | |
| 1100 × 1100B | 1084 | 790 | 787 | 990 | 1275 | 1102 | | | | | | | | | | | | | | |
| 1200 × 1100B | 1101 | 890 | 787 | 1090 | 1375 | 1202 | | | | | | | | | | | | | | |
| 1300 × 1100B | 1119 | 990 | 787 | 1190 | 1475 | 1302 | | | | | | | | | | | | | | |
| 1400 × 1100B | 1136 | 1090 | 787 | 1290 | 1575 | 1402 | | | | | | | | | | | | | | |
| 1500 × 1100B | 1154 | 1190 | 787 | 1390 | 1675 | 1502 | | | | | | | | | | | | | | |
| 1600 × 1100B | 1171 | 1290 | 787 | 1490 | 1775 | 1602 | | | | | | | | | | | | | | |
| 1700 × 1100B | 1189 | 1390 | 787 | 1590 | 1875 | 1702 | | | | | | | | | | | | | | |
| 1800 × 1100B | 1206 | 1490 | 787 | 1690 | 1975 | 1802 | | | | | | | | | | | | | | |
| 1900 × 1100B | 1224 | 1590 | 787 | 1790 | 2075 | 1902 | | | | | | | | | | | | | | |
| 2000 × 1100B | 1241 | 1690 | 787 | 1890 | 2175 | 2002 | | | | | | | | | | | | | | |
| 600 × 1200B | 1170 | 240 | 787 | 480 | 777 | 599 | | | | | | | | 130 | 145 | 175 | 65 | 180 | 87 | 120 |
| 700 × 1200B | 1189 | 340 | 787 | 580 | 877 | 699 | | | | | | | | | | | | | | |
| 800 × 1200B | 1208 | 440 | 787 | 680 | 977 | 799 | | | | | | | | | | | | | | |
| 900 × 1200B | 1227 | 540 | 787 | 780 | 1077 | 899 | | | | | | | | | | | | | | |
| 1000 × 1200B | 1247 | 640 | 787 | 880 | 1177 | 999 | | | | | | | | | | | | | | |
| 1100 × 1200B | 1266 | 740 | 787 | 980 | 1277 | 1099 | | | | | | | | | | | | | | |
| 1200 × 1200B | 1285 | 840 | 787 | 1080 | 1377 | 1199 | | | | | | | | | | | | | | |
| 1300 × 1200B | 1305 | 940 | 787 | 1180 | 1477 | 1299 | | | | | | | | | | | | | | |
| 1400 × 1200B | 1324 | 1040 | 787 | 1280 | 1577 | 1399 | | | | | | | | | | | | | | |
| 1500 × 1200B | 1343 | 1140 | 787 | 1380 | 1677 | 1499 | | | | | | | | | | | | | | |
| 1600 × 1200B | 1363 | 1240 | 787 | 1480 | 1777 | 1599 | | | | | | | | | | | | | | |
| 1700 × 1200B | 1383 | 1340 | 787 | 1580 | 1877 | 1699 | | | | | | | | | | | | | | |
| 1800 × 1200B | 1401 | 1440 | 787 | 1680 | 1977 | 1799 | | | | | | | | | | | | | | |
| 1900 × 1200B | 1421 | 1540 | 787 | 1780 | 2077 | 1899 | | | | | | | | | | | | | | |
| 2000 × 1200B | 1440 | 1640 | 787 | 1880 | 2177 | 1999 | | | | | | | | | | | | | | |
| 700 × 1300B | 1324 | 330 | 787 | 570 | 886 | 699 | 130 | 154 | 185 | 65 | 190 | 92 | 120 | | | | | | | |
| 800 × 1300B | 1344 | 430 | 787 | 670 | 986 | 799 | | | | | | | | | | | | | | |
| 900 × 1300B | 1365 | 530 | 787 | 770 | 1086 | 899 | | | | | | | | | | | | | | |
| 1000 × 1300B | 1385 | 630 | 787 | 870 | 1186 | 999 | | | | | | | | | | | | | | |
| 1100 × 1300B | 1406 | 730 | 787 | 970 | 1286 | 1099 | | | | | | | | | | | | | | |
| 1200 × 1300B | 1426 | 830 | 787 | 1070 | 1386 | 1199 | | | | | | | | | | | | | | |
| 1300 × 1300B | 1447 | 930 | 787 | 1170 | 1486 | 1299 | | | | | | | | | | | | | | |
| 1400 × 1300B | 1467 | 1030 | 787 | 1270 | 1586 | 1399 | | | | | | | | | | | | | | |
| 1500 × 1300B | 1488 | 1130 | 787 | 1370 | 1686 | 1499 | | | | | | | | | | | | | | |
| 1600 × 1300B | 1508 | 1230 | 787 | 1470 | 1786 | 1599 | | | | | | | | | | | | | | |
| 1700 × 1300B | 1529 | 1330 | 787 | 1570 | 1886 | 1699 | | | | | | | | | | | | | | |
| 1800 × 1300B | 1549 | 1430 | 787 | 1670 | 1986 | 1799 | | | | | | | | | | | | | | |
| 1900 × 1300B | 1570 | 1530 | 787 | 1770 | 2086 | 1899 | | | | | | | | | | | | | | |
| 2000 × 1300B | 1590 | 1630 | 787 | 1870 | 2186 | 1999 | | | | | | | | | | | | | | |

道路・交通

暮らし・公益施設・
上下水道

水と緑

河川・
砂防

農業土木

インフラ保全・
工事・工法

舗装

基礎

法面・土止め・
擁壁

カルバート

トンネル・
地下道

用・排水路

交通安全
対策

スラブ・
床版橋

電線・情報・
共同溝

護床・護岸・
法覆

ため池・
貯留施設

樋門・樋管

上下水道

景観・
多自然

リサイクル・
更生

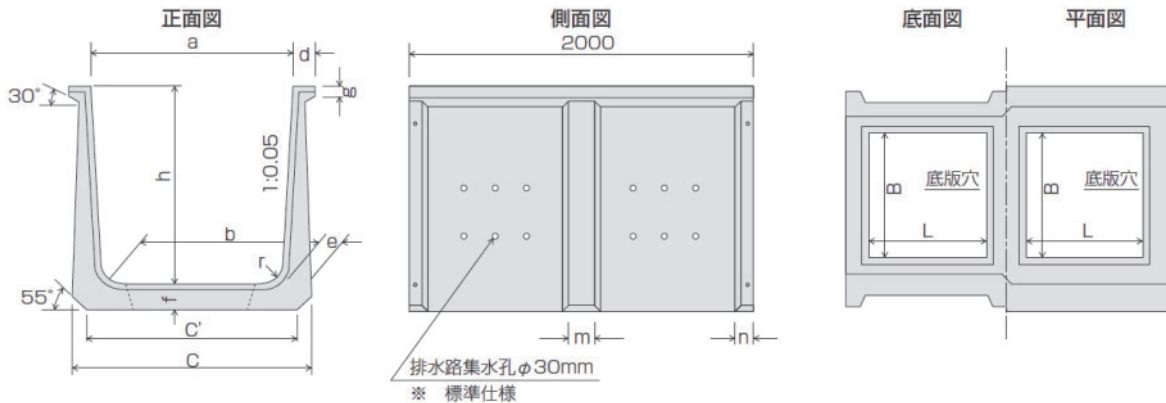
維持管理

耐震・防災害・
快適(円滑)

経済性・省力化・
公害低減

NETIS・ARIC・
認定・評定評価

形状及び寸法 (Bタイプ)



● Bタイプ…排水路専用で底部に開口部を設けています。

| 呼称 a × h | 参考質量 (kg) | 寸法 (mm) | | | | | | | | | | | |
|--------------|--------------|---------|-----|------|------|------|-----|-----|-----|----|-----|-----|-----|
| | | B | L | b | c | c' | d | e | f | g | m | n | r |
| 800 × 1400B | 1554 | 360 | 767 | 660 | 993 | 797 | 150 | 162 | 190 | 75 | 190 | 92 | 150 |
| 900 × 1400B | 1577 | 460 | 767 | 760 | 1093 | 897 | | | | | | | |
| 1000 × 1400B | 1600 | 560 | 767 | 860 | 1193 | 997 | | | | | | | |
| 1100 × 1400B | 1623 | 660 | 767 | 960 | 1293 | 1097 | | | | | | | |
| 1200 × 1400B | 1646 | 760 | 767 | 1060 | 1393 | 1197 | | | | | | | |
| 1300 × 1400B | 1668 | 860 | 767 | 1160 | 1493 | 1297 | | | | | | | |
| 1400 × 1400B | 1691 | 960 | 767 | 1260 | 1593 | 1397 | | | | | | | |
| 1500 × 1400B | 1714 | 1060 | 767 | 1360 | 1693 | 1497 | | | | | | | |
| 1600 × 1400B | 1737 | 1160 | 767 | 1460 | 1793 | 1597 | | | | | | | |
| 1700 × 1400B | 1760 | 1260 | 767 | 1560 | 1893 | 1697 | | | | | | | |
| 1800 × 1400B | 1783 | 1360 | 767 | 1660 | 1993 | 1797 | 150 | 169 | 205 | 75 | 190 | 92 | 150 |
| 1900 × 1400B | 1805 | 1460 | 767 | 1760 | 2093 | 1897 | | | | | | | |
| 2000 × 1400B | 1828 | 1560 | 767 | 1860 | 2193 | 1997 | | | | | | | |
| 800 × 1500B | 1720 | 350 | 767 | 650 | 997 | 796 | | | | | | | |
| 900 × 1500B | 1745 | 450 | 767 | 750 | 1097 | 896 | | | | | | | |
| 1000 × 1500B | 1770 | 550 | 767 | 850 | 1197 | 996 | | | | | | | |
| 1100 × 1500B | 1795 | 650 | 767 | 950 | 1297 | 1096 | | | | | | | |
| 1200 × 1500B | 1820 | 750 | 767 | 1050 | 1397 | 1196 | | | | | | | |
| 1300 × 1500B | 1845 | 850 | 767 | 1150 | 1497 | 1296 | | | | | | | |
| 1400 × 1500B | 1869 | 950 | 767 | 1250 | 1597 | 1396 | | | | | | | |
| 1500 × 1500B | 1894 | 1050 | 767 | 1350 | 1697 | 1496 | 160 | 180 | 225 | 80 | 256 | 125 | 160 |
| 1600 × 1500B | 1919 | 1150 | 767 | 1450 | 1797 | 1596 | | | | | | | |
| 1700 × 1500B | 1944 | 1250 | 767 | 1550 | 1897 | 1696 | | | | | | | |
| 1800 × 1500B | 1969 | 1350 | 767 | 1650 | 1997 | 1796 | | | | | | | |
| 1900 × 1500B | 1994 | 1450 | 767 | 1750 | 2097 | 1896 | | | | | | | |
| 2000 × 1500B | 2019 | 1550 | 767 | 1850 | 2197 | 1996 | | | | | | | |
| 800 × 1600B | 2102 | 320 | 747 | 640 | 1003 | 796 | | | | | | | |
| 900 × 1600B | 2132 | 420 | 747 | 740 | 1103 | 896 | | | | | | | |
| 1000 × 1600B | 2161 | 520 | 747 | 840 | 1203 | 996 | | | | | | | |
| 1100 × 1600B | 2192 | 620 | 747 | 940 | 1303 | 1096 | | | | | | | |
| 1200 × 1600B | 2222 | 720 | 747 | 1040 | 1403 | 1196 | | | | | | | |
| 1300 × 1600B | 2251 | 820 | 747 | 1140 | 1503 | 1296 | | | | | | | |
| 1400 × 1600B | 2281 | 920 | 747 | 1240 | 1603 | 1396 | | | | | | | |
| 1500 × 1600B | 2311 | 1020 | 747 | 1340 | 1703 | 1496 | | | | | | | |
| 1600 × 1600B | 2341 | 1120 | 747 | 1440 | 1803 | 1596 | | | | | | | |
| 1700 × 1600B | 2371 | 1220 | 747 | 1540 | 1903 | 1696 | | | | | | | |
| 1800 × 1600B | 2401 | 1320 | 747 | 1640 | 2003 | 1796 | | | | | | | |
| 1900 × 1600B | 2431 | 1420 | 747 | 1740 | 2103 | 1896 | | | | | | | |
| 2000 × 1600B | 2461 | 1520 | 747 | 1840 | 2203 | 1996 | | | | | | | |